

Compact Analytical Balances

HR-AZ/HR-A

Series

HR-250AZ/HR-250A

252 g x 0.1 mg

HR-251AZ/HR-251A

62 g/252 g x 0.1 mg/1 mg

HR-150AZ/HR-150A

152 g x 0.1 mg

HR-100AZ/HR-100A

102 g x 0.1 mg



HR-250AZ



HR-250A

Ultimate Value!



A&D ...Clearly a Better Value
A&D Company, Limited
<http://www.aandd.jp>

Finally, Globally Proven Precision at a Fair Price

What do you expect most from a precision analytical balance? If you are like us, you will agree that accuracy and reliability come before anything else. The HR-AZ/HR-A series of compact analytical balances, behind their simple design, utilize proven A&D sensor technology that delivers superior performance to all users who wish to do superior work.

Optimizing value, the HR-AZ/HR-A series realizes the following three savings:

1. Saving “Time”

Fast Stabilization in 2 Seconds

Our widely-recognized Compact Super Hybrid Sensor (C-SHS) technology¹ now enables you to perform high-speed, frustration-free weighing even at a resolution of 0.1 mg.

*1 Patent pending

One-Touch Automatic Calibration (HR-AZ models only)

The built-in calibration mass lets you ensure the accuracy of your balance with just one key press.

2. Saving “Space”

Compact Footprint: 198 mm × 294 mm

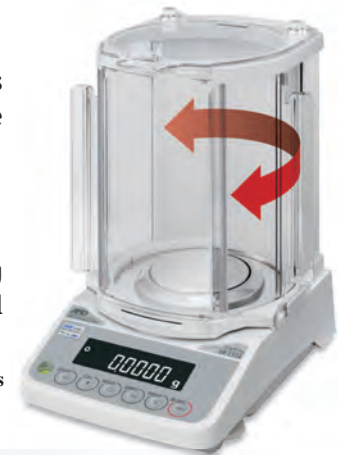
With the C-SHS, the footprint of the balance is smaller than the ISO A4 (210 mm × 297 mm) paper size, maximizing opportunities for use of an analytical balance in even the smallest of spaces.

Rotary Sliding Doors

Unlike conventional analytical balances, the HR-AZ/HR-A series requires no extra space at the rear for accessing the weighing chamber, as the doors simply rotate behind the balance.

Removable Breeze Break

The breeze break is easily removed using a unique clip system, allowing fast, simple cleaning and use in confined spaces like gloveboxes and controlled environment cabinets.



Rotary Sliding Doors

3. Saving “Cost”

Lean Design for Affordability

The HR-AZ/HR-A design is all about “keeping it simple” without compromising quality or performance. Key features demanded by today’s market have been included, resulting in a compact, precise, and reliable analytical balance for the value-conscious user.



Optional



Superb Usability

Large Removable Breeze Break with Antistatic Coating

The breeze break is treated with an antistatic agent to ensure stable weighing. It also offers a large working space and can be detached for better portability and easy cleaning of the balance.



Removable Breeze Break

Clear, Reverse Backlit LCD

The contrast of the black and white display provides excellent readability even in a dimly-lit area.

Front-Mounted Spirit Level

The spirit level is easily visible when adjusting the leveling feet of the balance for accurate weighing.

Great Flexibility and Compliance

Twelve Weighing Units

You can easily choose from gram, milligram, ounce, troy ounce, metric carat, momme, pennyweight, grain, counting mode, percent mode, density mode, in addition to a user-programmable unit for conversion applications like GSM calculations in paper and fabric industries (one more unit from tael, tola, or Newton can be added upon request).

GLP/GMP/GCP/ISO Compliant Output

For compliance and documentation requirements, the HR-AZ/HR-A series can output the balance manufacturer, model, serial number, ID number, date and time;ⁱⁱ space for signature, and calibration records.

* ii For HR-AZ models only. Please use the AD-8121B compact printer, which has a calendar function, to print the date and time with HR-A models.

Adjustable Response Characteristics and Hold Function

From three preset combinations of weighing speed and stability (FAST, MID, or SLOW), select the one that best suits your environmental conditions (drafts and vibrations). A hold function is also available for weighing animals.

Statistical Calculation Function

The balance displays and outputs statistical calculation data including number of data, sum, maximum, minimum, range (maximum–minimum), average, standard deviation, and coefficient of variation.

Options and Accessories

Quick USB Interface (FXi-02)

The easy-to-use USB interface requires no driver or software installation for transfer of weighing data to a PC.ⁱⁱⁱ

* iii Data transfer from the balance to a PC only. Please use the RS-232C (standard interface) to serial-USB converter (AX-USB-9P, optional) for two-way communication or sending GLP or statistical calculation information via USB. Portable memory devices such as weighing environment logger (AD-1687) and data logger (AD-1688) are also available.

LAN-Ethernet Interface with WinCT-Plus Software (FXi-08)

You can send commands for controlling and acquiring data from multiple balances.



Rechargeable Battery Unit (FXi-09)

The Ni-MH rechargeable battery pack can be fitted into the balance for use without AC power (10 hours of charging for 14 hours of operation).

Density Determination Kit (AD-1654)

Using this kit, it is easy to calculate the density of a solid or liquid substance in density mode.

Specifications

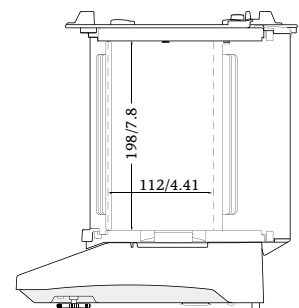
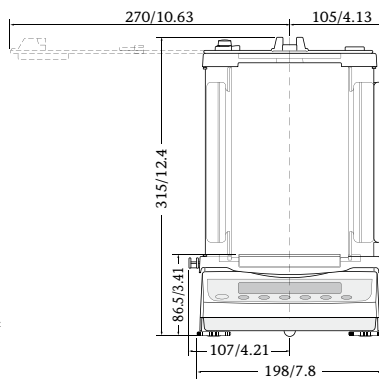
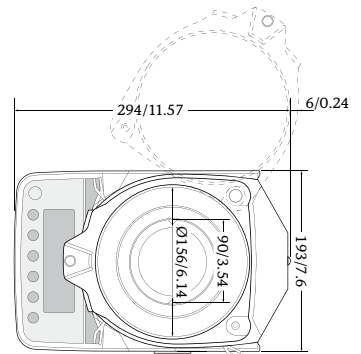
Models	HR-250AZ	HR-251AZ	HR-150AZ	HR-100AZ	HR-250A	HR-251A	HR-150A	HR-100A
Weighing capacity	252 g	62 g / 252 g ^{iv}	152 g	102 g	252 g	62 g / 252 g ^{iv}	152 g	102 g
Minimum weighing value	0.1 mg	0.1 mg / 1 mg	0.1 mg		0.1 mg / 1 mg		0.1 mg	
Repeatability (standard deviation)	0 to 200 g: 0.1 mg	0.1 mg / 0.5 mg	0.1 mg		0 to 200 g: 0.1 mg	0.1 mg / 0.5 mg	0.1 mg	
	200 to 252 g: 0.2 mg				200 to 252 g: 0.2 mg			
Linearity	±0.3 mg	±0.3 mg / ±1 mg	±0.2 mg		±0.3 mg	±0.3 mg / ±1 mg	±0.2 mg	
Stabilization time (when set to FAST under a good environment)	Approx. 2 seconds ^v							
Sensitivity drift	±2 ppm/°C (10 to 30 °C/50 to 86 °F)							
Internal calibration	Yes				No			
Clock and calendar function	Yes				No			
Operating environment	5 to 40 °C (41 to 104 °F), 85% RH or less (no condensation)							
Display refresh rate	5 times/second (10 times/second can be selected)							
Display mode ^{vi}	gram, milligram, ounce, troy ounce, metric carat, momme, pennyweight, grain, counting mode, percent mode, density mode, and a user-programmable unit							
Counting mode	Minimum unit mass	0.1 mg	1 mg	0.1 mg		1 mg	0.1 mg	
	Number of samples	10, 25, 50 or 100 pieces						
Percent mode	Minimum 100% reference mass	10.0 mg	100 mg	10.0 mg		100 mg	10.0 mg	
	Minimum 100% display	0.01%, 0.1%, or 1% (depends on the reference mass stored)						
Interface	RS-232C							
Applicable calibration weight value	250 g, 200 g 100 g, 50 g	250 g, 200 g 100 g, 50 g, 20 g	150 g, 100 g, 50 g	100 g, 50 g	250 g, 200 g 100 g, 50 g	250 g, 200 g 100 g, 50 g, 20 g	150 g, 100 g, 50 g	100 g, 50 g
Weighing pan size	Ø90 mm							
External dimensions	198 (W) × 294 (D) × 315 (H) mm							
Net weight	Approx. 3.9 kg				Approx. 3.5 kg			
Power supply	AC adapter							
Power consumption	Approx. 11 VA (supplied to the AC adapter)							

* iv Smart range function: The minimum weighing value will switch to 1 mg automatically when the display value exceeds 62 g but returns to 0.1 mg by pressing the RE-ZERO (tare) key.
 * v The factory setting is MID, whose stabilization time is approx. 3 seconds.
 * vi One additional unit from tael (Singapore/HK jewelry/Taiwan/China), tola or Newton can be added upon request.

Options

- FXi-02*** Quick USB interface with cable
 - FXi-08*** Ethernet interface with WinCT-Plus software
 - FXi-09*** Built-in rechargeable battery
- * The FXi-02, FXi-08 and FXi-09 cannot be used at the same time

Dimensions (mm/inches)



Accessories

- AD-1654** Density determination kit
- AD-1671** Anti-vibration table for balances
- AD-1672** Tabletop breeze break
- AD-1683** Static eliminator
- AD-1684** Electrostatic field meter
- AD-1687** Weighing environment logger
- AD-1688** Weighing data logger
- AD-1689** Tweezers for calibration weight
- AD-8121B** Compact printer
- AD-8526** Serial/Ethernet converter
- AD-8527** Quick USB adapter
- AD-8920A** Remote display
- AD-8922A** Remote controller
- AX-FXi-31** Main unit cover (5 pcs)
- AX-USB-9P** Serial/USB converter

A&D ...Clearly a Better Value

A&D Company, Limited

3-23-14 Higashi-Ikebukuro, Toshima-ku, Tokyo 170-0013 JAPAN
 Telephone: [81](3) 5391-6132 Fax: [81](3) 5391-6148
 http://www.aandd.jp

A&D ENGINEERING, INC.

1756 Automation Parkway, San Jose, CA 95131 U.S.A.
 Telephone: [1](408) 263-5333 Fax: [1](408) 263-0119

A&D Australasia Pty Ltd.

32 Dew Street, Thebarton, South Australia 5031 AUSTRALIA
 Telephone: [61](8) 8301-8100 Fax: [61](8) 8352-7409

A&D INSTRUMENTS LTD.

Unit 24/26 Blacklands Way Abingdon Business Park,
 Abingdon, Oxon OX14 1DY UNITED KINGDOM
 Telephone: [44](1235) 550420 Fax: [44](1235) 550485

<German Sales Office>

Hamburger Straße 30 D-22926 Ahrensburg GERMANY
 Telephone: [49](0) 4102 459230 Fax: [49](0) 4102 459231

A&D KOREA Limited

Manhattan Bldg. 8F, 36-2 Yoido-dong, Youngdeungpo-gu, Seoul, KOREA
 Telephone: [82](2) 780-4101 Fax: [82](2) 782-4280

A&D RUS CO., LTD.

Verayskaya str.17, Moscow, 121357 RUSSIA
 Telephone: [7] (495) 937-33-44 Fax: [7] (495) 937-55-66

A&D Instruments India Private Limited

509 Udyog Vihar Phase V
 Gurgaon-122 016, Haryana, INDIA
 Telephone: [91](124) 471-5555 Fax: [91](124) 471-5599